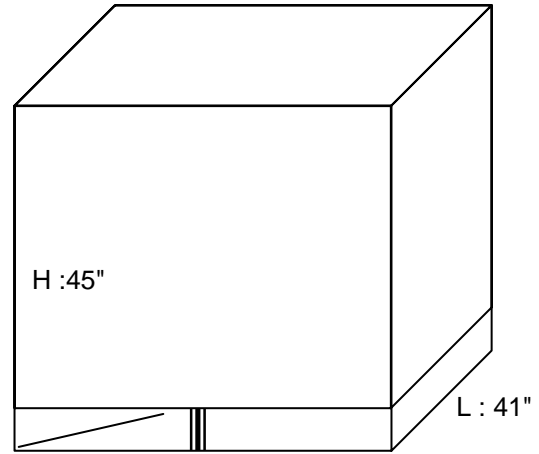


MARK - VII, 300 MM PACKING DETAILS

Ajay Syscon Private Limited
(A Joint Venture with Syscon International Inc. U.S.A.)
 Survey No. 147/1&2, Shembekar Industrial Compound
 Chinchwad, Pune - 411 019, India
 Tel. No. +91 20 2543 9582 / 2543 9583
 Fax No. +91 20 2543 9581
 E-mail : steel@metachem.in Website : www.metachem.in

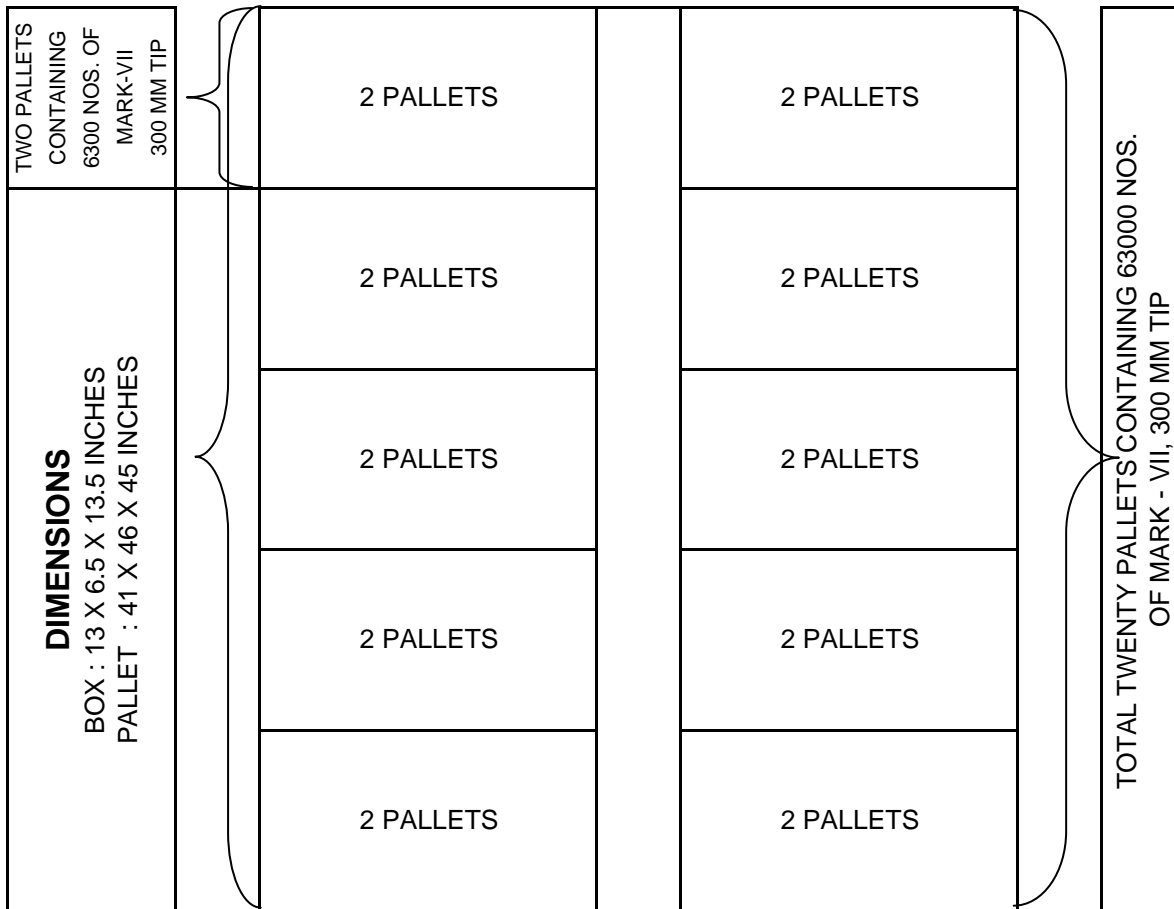


1	2	3	4	5	6	7
8	9	10	11	12	13	14
15	16	17	18	19	20	21
21	X	3	63	X	50	3150
BOX		LAYER	BOXES /PALLET		NOS/BOX	NOS/PALLET



B : 46"

LXBXH : 41 X 46 X 45 INCHES



20' GP - DOOR SIDE